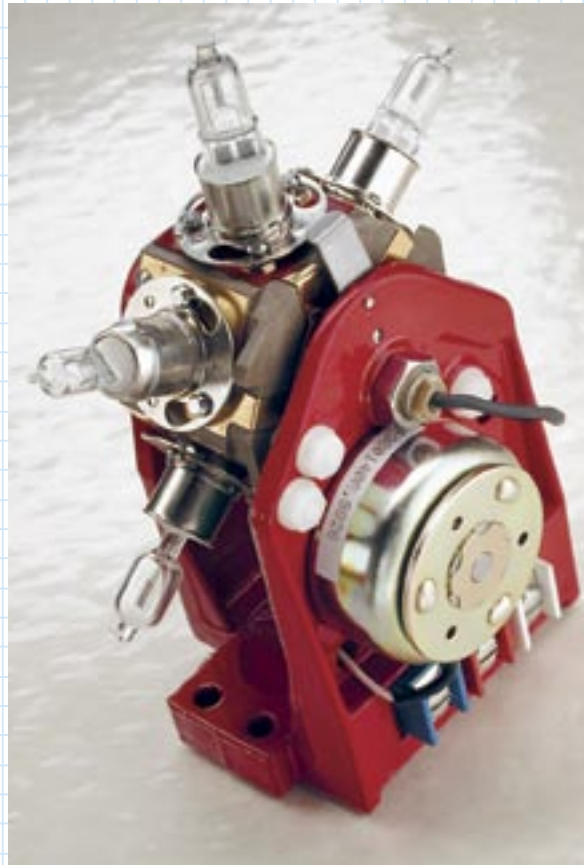
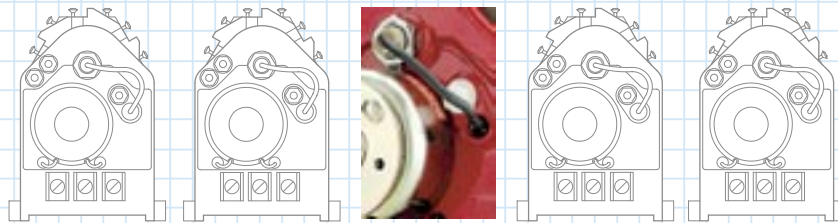


## 6-Place Lampchanger 2086BLR

We developed the 2086BLR Lampchanger to meet U.S. Coast Guard Specification G-SEC-478. The LR in BLR stands for low resistance. Significant material and assembly upgrades allow this Lampchanger to withstand the rigorous electrical and environmental test requirements while maintaining a circuit



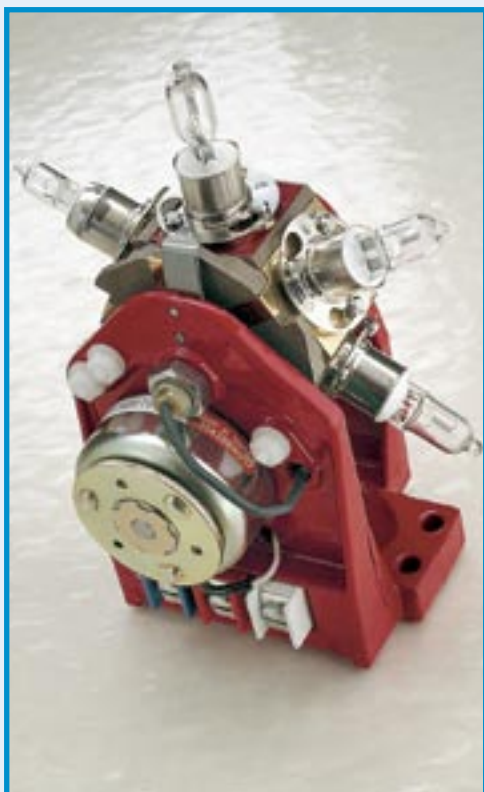
resistance within 0.010 Ohms. Maintaining low circuit resistance is crucial to the long term integrity of the light. Changes made to the 2086BLR Lampchanger include gold plated copper parts, inlaid silver/nickel contact strips and a parallel electrical power path.



Similar in construction to our other Lampchanger models, it emphasizes reliability, consistent lamp positioning accuracy, and competitive pricing.

*"Light Waves To The World"*

# 6-Place Lampchanger 2086BLR



## Features:

- 6 Lamp Capacity
- Uses rotary solenoid which is more reliable than motors and doesn't require any gears
- Low Contact Drop
- No shadowing within cone 52° down from horizontal of lamp filament
- Gold Plated Contacts
- Large, Color Coded Terminals
- Can be mounted in any position
- Low Cost

Optional: Position sensing circuit – add "PS" to the end of the model number when ordering.

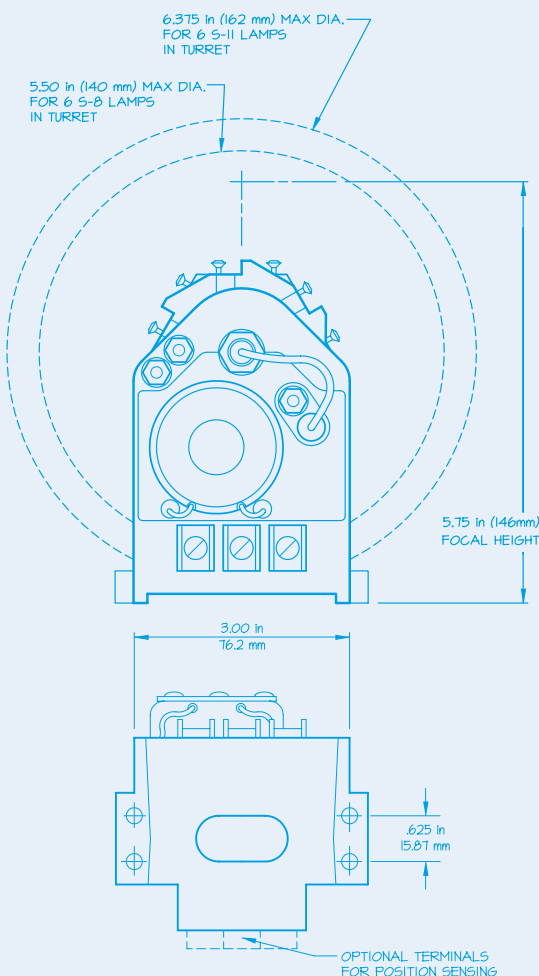
## Major Material & Assembly Changes

- Elimination of one of the two Spring Contacts (between circuit board and turret). Replaced with 16 gauge tinned copper stranded wire.
- Two Spring Contacts used in the other position increase contact pressure. Gold plating thickness is increased 500%.
- All gold plated brass parts have been replaced with gold plated copper parts.
- The three colored terminals have copper inserts instead of brass.

## Technical Specifications Model S2086BLR

- Lamp sizes: S8, S11, Halogen marine signal lamps with Pr3os prefocused collar
- Lamp current: 10A
- Maximum lamp voltage: 24V
- Maximum lamp power: 120W
- Resistance through lamp circuit: <0.010
- Solenoid current 12V: 0.65A
- Solenoid minimum life rated number of actuations: 1 million
- Lamp positioning accuracy: within 0.031 inch (0.8mm)
- Vibration: 5G Shock: 20G
- Weight: 0.86 Kg (1.9 lb)
- Temperature ranges:
  - Turret -40° ... 260° C (-40° ... 500° F)
  - Solenoid -54° ... 121° C (-65° ... 250° F)
  - Terminal Barrier -40° ... 130° C (-40° ... 266° F)

- Six Contact plates on top of the lamp turret positions have an inlaid silver/nickel contact strip running the full length of the part through the tab overhang. This is one of the best moving contact materials available. Gold plating thickness is increased 500%.
- A parallel electrical power path to lamp base contacts is installed to lower circuit resistance.
- A heat baffle is mounted at top of the Lampchanger to shield the top turret ratchet tooth from lamp heat and from sun focusing backwards through the lens.



CR Control Systems Inc.  
20 Airpark Road, West Lebanon, NH 03784 USA  
888-897-9391 603-298-2113 fx: 603-298-7783  
sales@CRCONSYS.com www.CRCONSYS.com

© 2007 CR Control Systems inc.

**CR**  
CONTROL SYSTEMS INC.  
*"Light Waves To The World"*