

6-Place Automatic Lampchanger Models: S-2086A & S-2086B

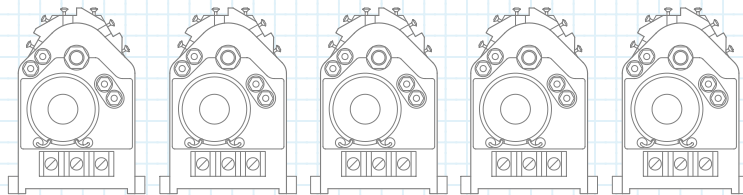
The Model S-2086 Lampchanger was designed to emphasize simplicity and reliability.

It is designed to operate with any solid-state flasher which can provide filament failure sensing and voltage pulses to actuate the rotary solenoid. The rotary solenoid indexes the lamp turret by a



spring wound ratchet mechanism.

The lamp turret will support six S-8 or S-11 marine signal lamps and halogen lamps with prefocus collars and will locate the filament consistently within operating position horizontally and vertically within 0.031 inch (0.8mm) of true center.



It can be mounted in any position and is not adversely affected by the normal shock and vibration encountered in buoy service.

"Light Waves To The World"

6 Place Automatic Lampchanger Models S-2086A & S-2086B

Technical Specification:

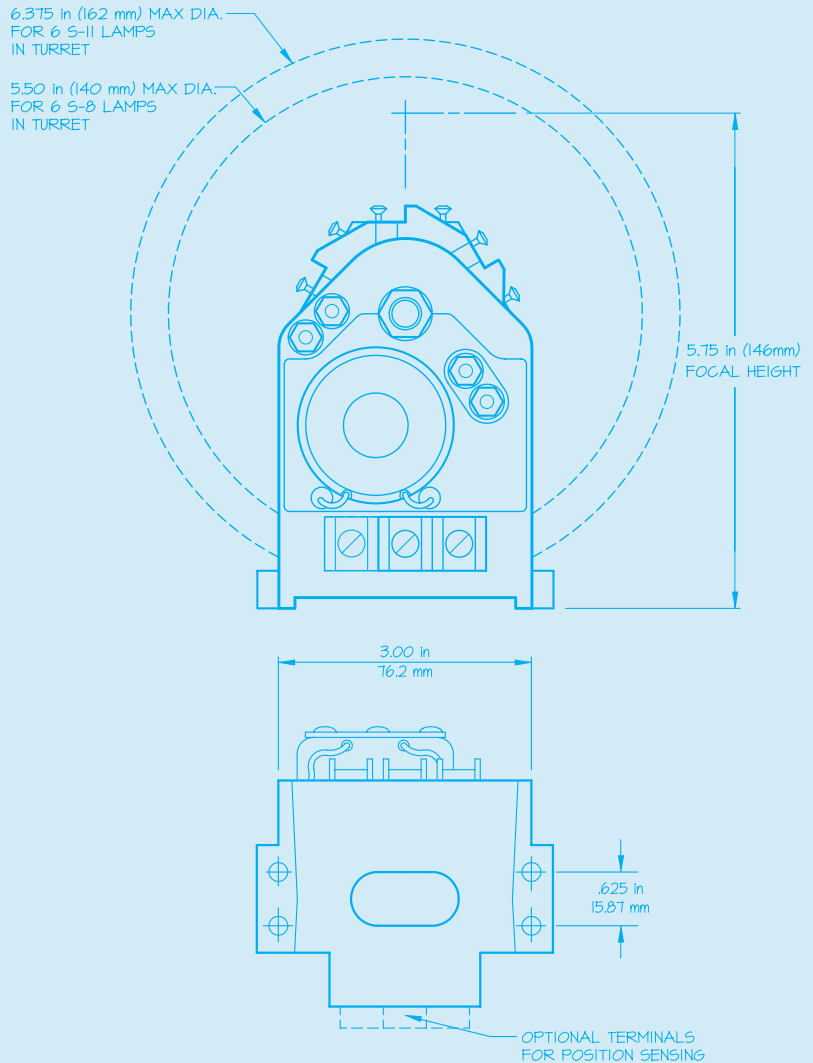
Model	S2086A	S2086B
Lamp capacity	6	6
Lamp Size	S8, S11 & Halogen	
System voltage	6/12	12/24V**
Max. Lamp power	60w	100w
Resistance through Lamp circuit	<0.015 Ohm	
Solenoid Voltage*	12v (6v)	
Solenoid Current*	0.65A (1.1A)	
Solenoid Min. Life Rated number of actuations	1 million	
Positioning accuracy	0.031 inch (0.8mm)	
Vibration	5G	
Shock	20G	
Temperature Range:		
Turret	-40° ... 215°C (-40° ... 420°F)	-40° ... 260°C (-40° ... 500°F)
Solenoid	-54° ... 121°C (-65° ... 250°F)	
Terminal Barrier	-40° ... 130°C (-40° ... 266°F)	
Wiegth	0.86 Kg (1.9 lb)	

* Optional 6 volt solenoid will operate on 6 or 12 volt systems with higher current drawn (2,2A) on a 12 volt system.

** 24V Systems require a different resistor value in lamp turret
- Customer please specify

Features:

- Meets or exceeds the requirements of US Coast Guard Specification number 195 including vibration test at 5-G's, shock test at 20-G's, salt spray and immersion
- Factory Mutual (FM) approved for use in Class I, Division II Groups C & D hazardous locations when used with FM approved CR Flasher in an FM approved lantern
- *Optional* - Position Sensing Function.
see explanation in 2086AC/DC & FL literature.



Features:

- Gold Plated Contacts
- Terminal Connectors
 - Tin Electroplated Brass
- Die Cast Aluminum Frame
- Frame Finish - Polyester Powder Coat
- Terminal Screws - Stainless Steel
- Turret - Injection
 - Molded High Strength Plastic

CR Control Systems Inc.

PO Box 87, Woodstock, Vermont 05091-0087 USA

888-897-9391 802-457-2313 fx: 802-457-2713

sales@CRCONSYS.com www.CRCONSYS.com

CR "Light Waves To The World"
CONTROL SYSTEMS INC.