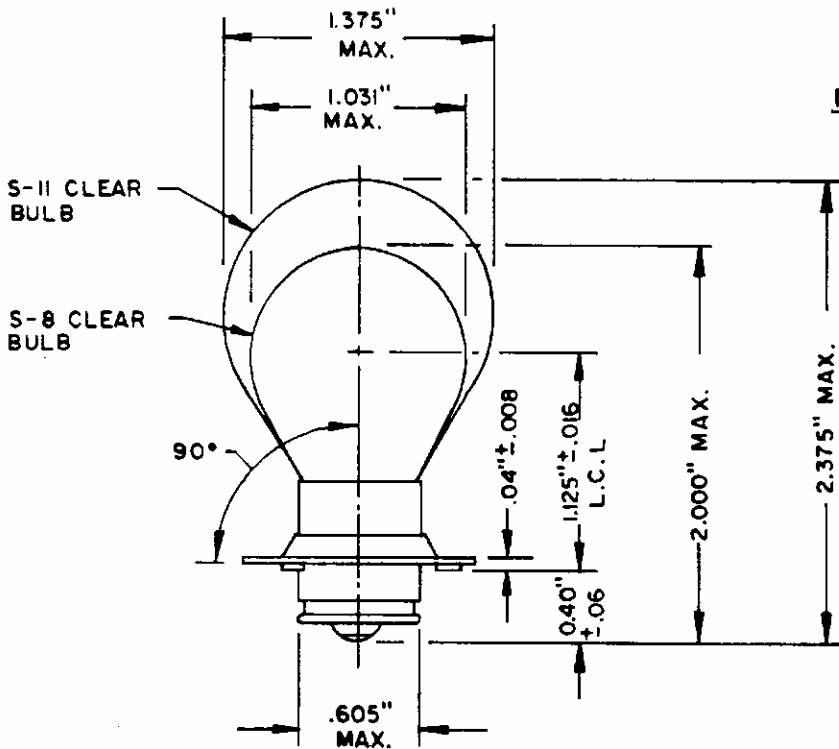
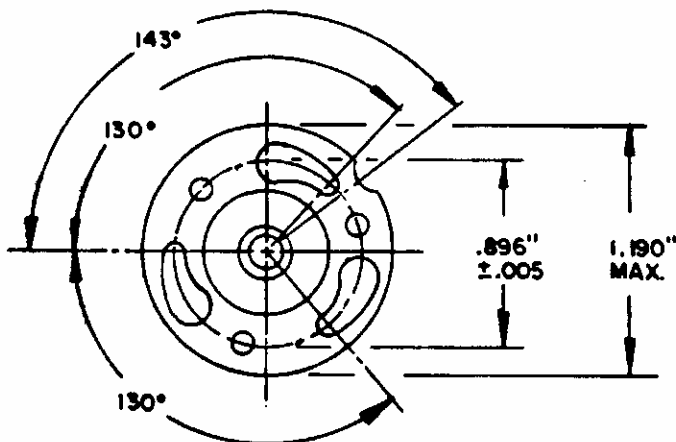


ENGINEERING DATA						
AMPERES	.25	.55	.77	1.15	2.03	3.05
TOLERANCE	± 7%	± 7%	± 7%	± 7%	± 7%	± 7%
FILAMENT HEIGHT	.60CM	.55CM	.70CM	.70CM	.80CM	.93CM
TOLERANCE	±20%	±20%	±20%	±20%	±20%	±20%
FILAMENT WIDTH	.025CM	.020CM	.030CM	.040CM	.060CM	.08CM
TOLERANCE	±25%	±25%	±25%	±25%	±25%	±25%
LUMEN OUTPUT	30	70	120	180	380	600
TOLERANCE	-15%	-15%	-15%	-15%	-15%	-15%
BULB	S-8	S-8	S-8	S-8	S-8	S-11



NOTES

1. ALL FILAMENTS ARE C-8.
2. THE RATED LIFE OF ALL LAMPS IS 500 HOURS.
3. BASE MATERIAL: BRASS, NICKEL PLATED.
4. THE PREFOCUS COLLAR AXIS MUST BE COAXIAL WITH THE LAMP FILAMENT AXIS: TOL. ± .016
5. THE LAMP BASE MUST NOT VARY MORE THAN 4° FROM THE PREFOCUS COLLAR AXIS.



**CANDELABRA PREFOCUS
SINGLE CONTACT BASE**

REV.	DATE	APPR.	DESCRIPTION	BY
(B)	5/17/77	L.P.	ADDED TOLERANCE	GW B
(A)	6/23/76	L.P.	REDRAWN WITH DIM. CHANGE	U TU
DE: DR: W.T.W.			U.S. COAST GUARD HEADQUARTERS	
TR:			OCEAN ENGINEERING	
CH:			MARINE SIGNAL LAMP (12 VOLT)	
REVIEWED BY: B.Y.C.				
CHIEF A & O SEC.			APPROVED: <i>[Signature]</i>	
REVIEWED BY: <i>[Signature]</i>			DATE 7/15/76	
CHIEF SIG. BR.			CHIEF OF DIVISION	
SCALE: 1/1			SHEET 1 OF 1 DR. NO. SK 1401-A	