

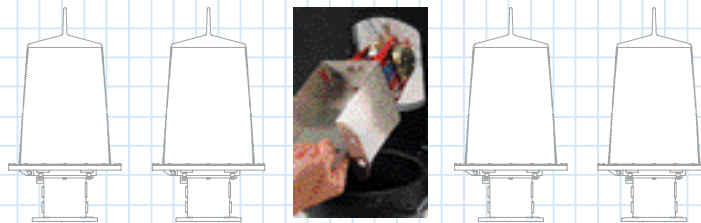


## CR300/305 Marine Signal Lantern

The CR300/305 is a high intensity, corrosion resistant, light weight Marine Signal Lantern designed to withstand the rigors of marine life. It can be used in many applications including lighthouses, fixed structures, offshore platforms,



channel markers and other solar powered applications. The base can fit either a 300mm or a 305mm lens depending on customer preference. The base is molded of glass reinforced polyester, and the anodized aluminum



adapter rings are hinged to allow for easy access to the Flasher and 6-Place Lampchanger or other electronic components inside.

*"Light Waves To The World"*

# CR300/305 Marine Signal Lantern

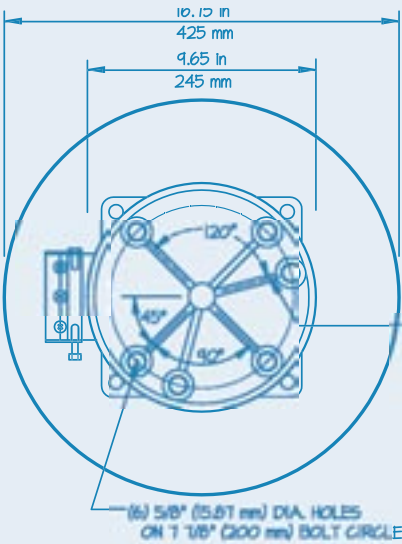


## Features:

- Clear, Red, or Green colors are available
- Hinged opening with "O" ring gasket for easy service access to the optional 6-Place Lamp-changer and Programmable Flasher or other electronics
- Easy to open by hand with four retaining bolts
- Voltage regulation from the Programmable/Synchronous Flasher affords long life to the lamps
- Light output ranges up to 13 nautical miles (T=.8)

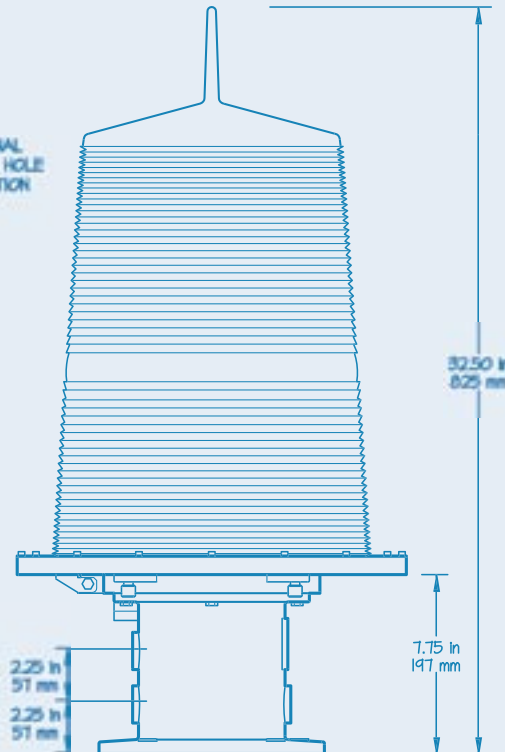
## Technical Specification:

- Lens: High output acrylic Fresnel type lens
- Upper and Lower Lens Rings: Aluminum with black anodize finish. Stainless steel threaded inserts allow secure clamping of the lens
- Adjustment of the internal Lampchanger mounting bracket is fixed by stainless steel dowel pins which accurately locate the light source within the focal point of the lens
- Three openings 3/4" NPT available for external light sensor and power cables with waterproof cable glands
- Mounting flange permits either three or four bolt installation patterns within a standard 200mm (7 7/8") bolt hole circle
- Weight: 13 kg (28 lb)



FOR OPTIONAL  
3 MOUNTING HOLE  
CONFIGURATION

(6) 5/8" (12.7 mm) DIA. HOLES  
ON 1 7/8" (47.6 mm) BOLT CIRCLE



CR Control Systems Inc.  
20 Airpark Road, West Lebanon, NH 03784 USA  
888-897-9391 603-298-2113 fx: 603-298-7783  
sales@CRCONSYS.com www.CRCONSYS.com

© 2007 CR Control Systems inc.

**CR**  
CONTROL SYSTEMS INC.  
*"Light Waves To The World"*